

RW240 Motor gearboxes



The RW240 motor gearboxes are maintenance-free, compact drive units to operate ventilation systems, screen systems and hoisting systems. The easy-to-install RW240 motor-gearboxes are enclosed in a housing with a sealed limit-switch system that has a high protection rating of IP55. The RW240 motor gearboxes are designed to operate at ambient temperatures between 0 and 60 °C.

All RW240 motor gearboxes feature a self-braking worm gear transmission. This transmission ensures that the output shaft is braked when the drive unit is stopped. The combination of carefully matched pinion and worm reductions results in a very quiet mechanical transmission.

The RW240 motor gearboxes feature a patented integrated RSU/RLS-RW linear limit-switch system with duty and safety switches having excellent switching precision. The maximum switching range of the limit-switch system equates to 86 revolutions of the drive shaft.

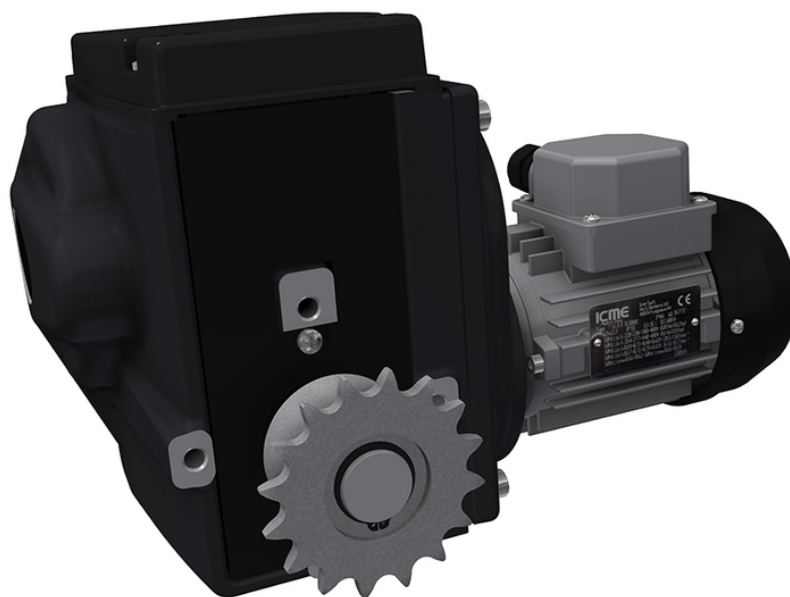
NOTE: RW-SD motor gearboxes use the end position system of the SmartDrive SD Basic Unit (RW-SD item numbers from 600000, refer to RW-equivalents [5****]).

The optional RPU PositioningUnit accurately monitors the current position of a drive system and transmits this data back to your climate computer or controller.

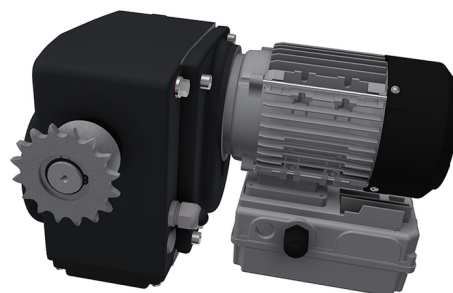
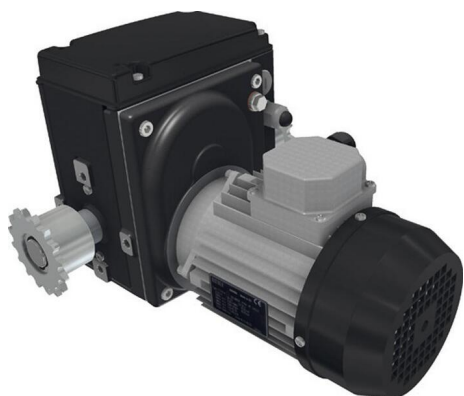
The RW240 motor gearboxes are finished with a graphite grey powder coating and are supplied including fixing bolts and spring washers. The RW45 motor gearboxes are designed to operate at ambient temperatures between 0 and 40°C.

RW240 Motor gearboxes:

- Also available with a Smartdrive system. Item numbers from 600000. Refer to RW equivalents (5****). **Example:** item number **RW** = 539999 ---> **RW-SD** = 639999;
- Drive torque of 240 Nm at 50 Hz and 60 Hz mains frequencies;
- Rotation speeds of 1, 3 and 5 rpm at 50 Hz, 1.2, 3.6 and 6 rpm at 60 Hz mains frequency;
- Suitable for intermittent duty, duty class s3-35%, duty cycle maximum 25 minutes;
- Fitted with 16-tooth 5/8"x3/8" zinc-plated sprocket for chain couplings;
- Manual drive enabled by means of a hexagon socket in the electric motor shaft;
- Electric motors are supplied as standard in accordance with protection rating IP55;
- Available with 3-phase electric motors, 400V at 50 Hz (EM type A);
- Or with 3-phase electric motors with CSA and/or UL approval, 208-415 V at 50/60 Hz and 415-480 V at 60 Hz (wide voltage, EM type B, L);
- Or with 3-phase electric motors with CSA approval, 600 V at 60 Hz (EM type C);
- Or with 1-phase electric motors, 230 V at 50/60 Hz (EM type D, E);
- Or with 1-phase electric motors with CSA and/or UL approval, 120 V at 60 Hz (EM type F, G).



RW240 Motor gearboxes



RW240 Motor gearboxes



Item no.	Description	[m] kg	[M] 50Hz Nm	[n] 50Hz /min	[M] 60Hz Nm	[n] 60Hz /min	EM	F -	PTC	CSA UL	EM nr
502334	RW241-09\120\1\CU\86	29,0	-	-	240	1,2	F	1		CU	761205
537260	RW241-09\120\1\60\CU\86\IP55	32,5	-	-	240	1,2	F	1		CU	761205
502330	RW241-09\230\1\86	27,5	240	1,0	240	1,2	D	1			761001
537240	RW241-09\230\1\86\IP55	28,5	240	1,0	240	1,2	D	1			761001
502300	RW241-09\400\3\86	26,5	240	1,0	240	1,2	A	3			763010
537200	RW241-09\400\3\86\IP55	28,0	240	1,0			A	3			763010
535400	RW241-09\208-480\3\P\CU\86	28,0	240	1,0	240	1,2	L	3	•	CU	764002
537220	RW241-09\208-480\3\CU\86\IP55	31,5	240	1,0	240	1,2	L	3	•	CU	764002
502343	RW243-30\120\1\OC\P\CU\86	33,0	-	-	240	3,6	G	1	•	CU	761222
502340	RW243-25\230\1\OC\P\CU\86	31,0	240	3,0	240	3,6	E	1	•	CU	761024
537250	RW243-25\230\1\OC\CU\86\IP55	32,0	240	3,0	240	3,6	E	1	•	CU	761024
502310	RW243-25\400\3\86	29,0	240	3,0	240	3,6	A	3			763030
537210	RW243-25\400\3\86\IP55	30,0	240	3,0			A	3			763030
535460	RW243-25\208-480\3\P\CU\86	30,0	240	3,0	240	3,6	L	3	•	CU	764022
537230	RW243-25\208-480\3\CU\86\IP55	32,0	240	3,0	240	3,6	L	3	•	CU	764022
536461	RW243-37\600\3\60\P\CU\86	30,0	240	3,0	240	3,6	C	3	•	CU	763632
502351	RW245-37\120\1\OC\P\CU\86	32,5	-	-	200	6,0	G	1	•	CU	761232
537275	RW245-37\120\1\60\CU\86\IP55	33,0	-	-	200	6,0	G	1	•	CU	761232
502350	RW245-37\230\1\OC\C\86	32,5	240	5,0	240	6,0	E	1	•	C	761032
537255	RW245-37\230\1\OC\C\86\IP55	32,5	240	5,0	240	6,0	E	1	•	C	761032
502320	RW245-37\400\3\86	29,5	240	5,0	240	6,0	A	3			763040
537215	RW245-37\400\3\86\IP55	30,5	240	5,0			A	3			763040
535490	RW245-37\208-480\3\P\CU\86	31,0	240	5,0	240	6,0	B	3	•	CU	764032
537235	RW245-37\208-480\3\CU\86\IP55	32,0	240	5,0	240	6,0	B	3	•	CU	764032
536490	RW245-37\600\3\60\CU\86	30,0	240	5,0	240	6,0	C	3	•	CU	763632