

Group H

Primary Voltage: 120 x 240 || 115 x 230 || 110 x 220
 Secondary Voltage: 12 x 24 || 11.5 x 23 || 11 x 22



50/60 Hertz

VA Rating	CE VA Rating	Catalog Number	Output Amps	Overall Dimensions			Mounting Centers		Mounting Slot	Approx. Ship Weight (Lbs.)
				A	B	C	D	E	G X H	
50	50	FS50PR	4.17/2.08	2.7	5.9	3.33	1.66	3.69	0.22 x 0.44	2.5
100	100	FS100PR	8.33/4.17	3.09	6.1	3.6	2.05	3.35	0.22 x 0.44	3.9
150	150	FS150PR	12.5/6.25	3.09	6.9	3.6	2.05	4.1	0.22 x 0.44	5.2
250	160	FS250PR	20.8/10.4	3.9	6.4	4.3	2.52	3.7	0.22 x 0.44	7.1
350	250	FS350PR	29.2/14.6	3.9	7.2	4.3	2.52	4.9	0.22 x 0.44	9.4
500	300	FS500PR	41.7/20.8	4.6	7.2	4.6	3.3	4.5	0.31 x 0.81	13.2

CE VA Rating: Derated to meet CE requirements.
 Primary and Secondary voltage links/jumpers supplied standard with all transformers.
 Special voltages and VA sizes available upon request.
 * See page 10 for dimensional drawings.

All dimensions in inches

DIMENSIONAL DRAWINGS

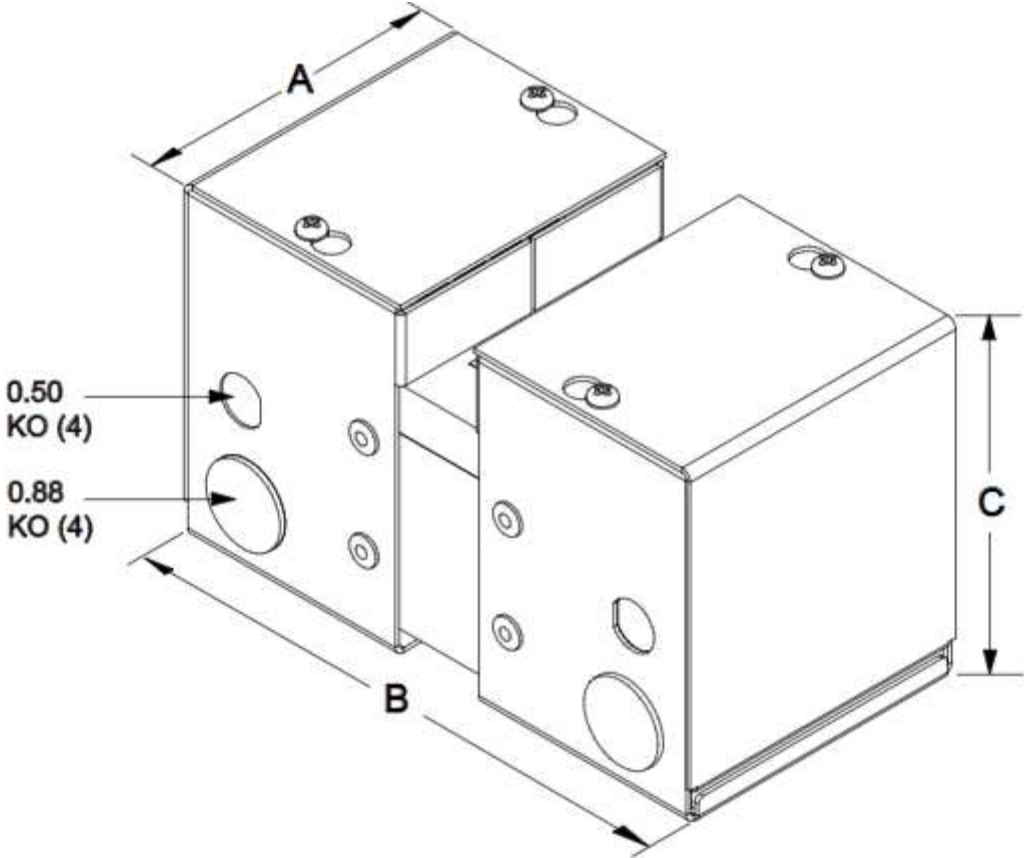


FIGURE A

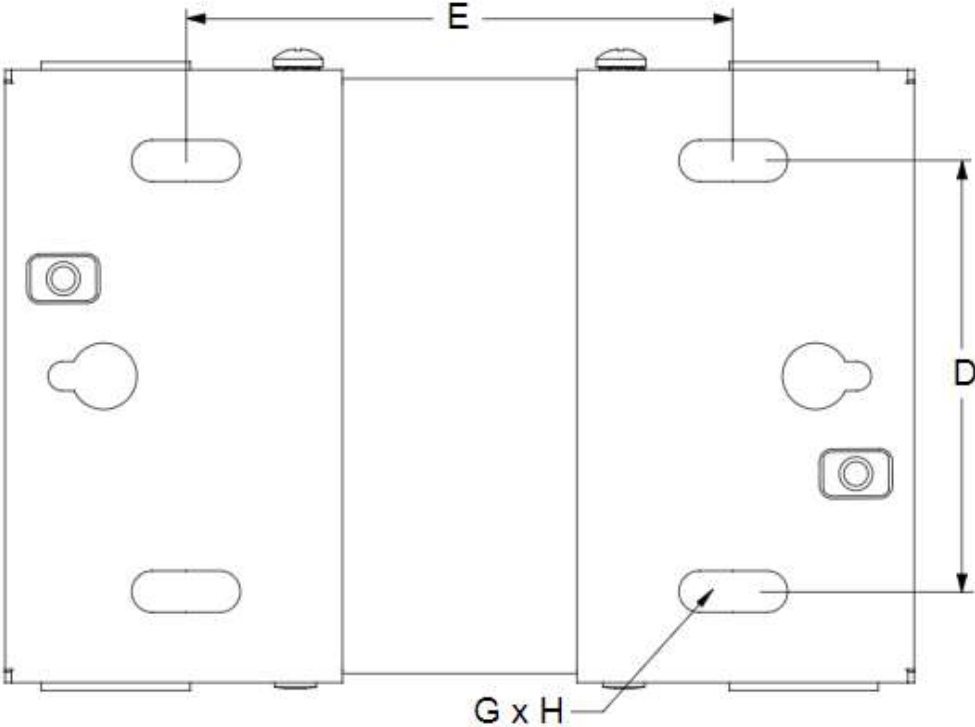
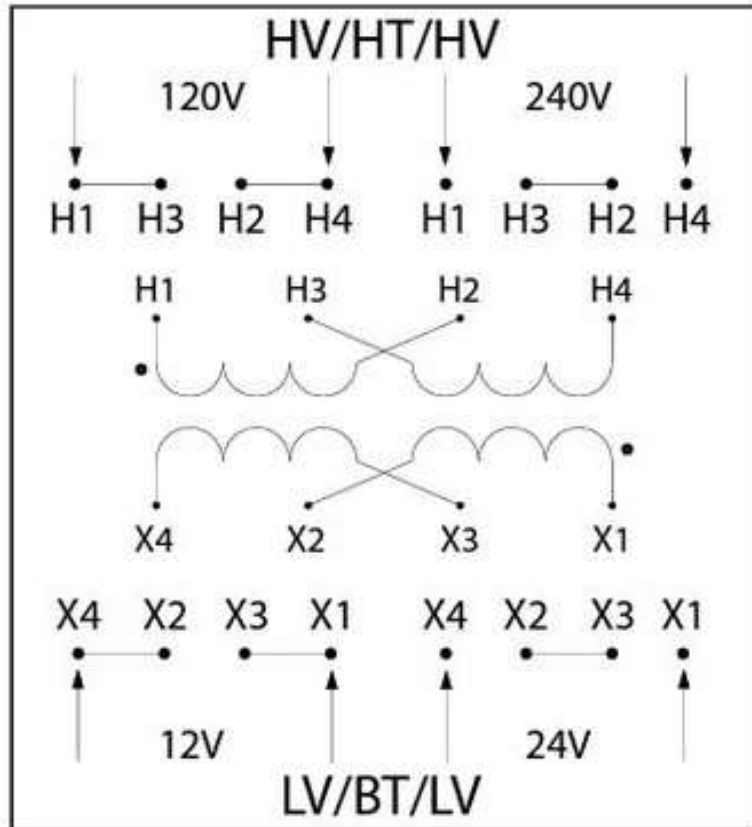


FIGURE B



Connections for 120 x 240 HV to 12 x 24 LV

Branchements pour 120 x 240 HT à 12 x 24 BT

Conexiones de alta tensión de 120 x 240 V a baja tensión de 12 x 24 V

High Voltage (HV) (Primary Volts)	Install Supplied Jumpers Between Terminals	Supply Lines Connect To
Haute tension (HT) (Volts primaires)	Cavaliers fournis installés entre les bornes	Lignes d'alimentation Branchez sur
Alta Tensión (HV) (Voltios primarios)	Instale los puentes proporcionados Entre terminales	Líneas de suministro Conectar a
120	H1-H3, H2-H4	H1, H4
240	H2-H3	H1, H4
Low Voltage (LV) (Secondary Volts)	Install Supplied Links Between Terminals	Load Lines Connect To
Basse tension (BT) (Volts secondaires)	Barrettes fournies installées entre les bornes	Lignes de charge Branchez sur
Baja Tensión (LV) (Voltios secundarios)	Instale los enlaces proporcionados Entre terminales	Líneas de carga Conectar a
12	X1-X3, X2-X4	X1, X4
24	X2-X3	X1, X4