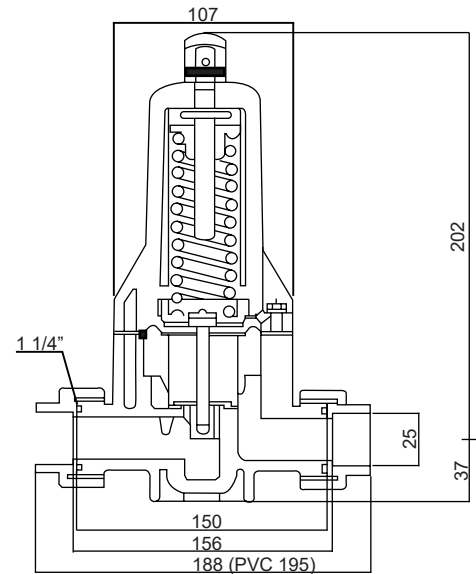
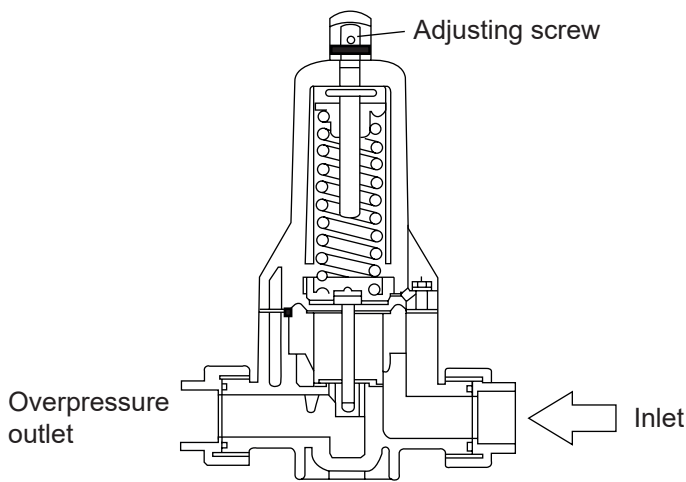
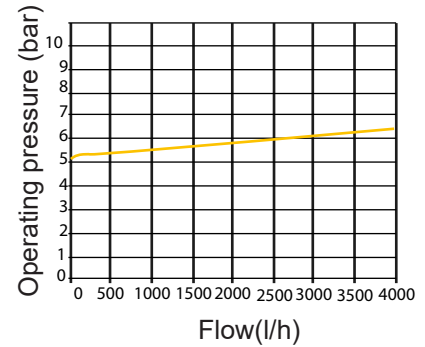


### TECHNICAL FEATURES

|                        |             |
|------------------------|-------------|
| Max. flow:             | 4000 l/h    |
| Max. pressure:         | 10bar @20°C |
| Min. opening pressure: | 0,3 bar     |
| Hysteresis:            | 0,3 bars    |
| Thread connection:     | 1 1/4"      |
| Pipe connection:       | DN20        |

Graphic Operating pressure / flow



| Code    | Materials        |
|---------|------------------|
| 18802   | PVC / FPM / PTFE |
| 18802-E | PP / EPDM / PTFE |
| 18803   | PP / FPM / PTFE  |
| 18803-E | PP / EPDM / PTFE |

