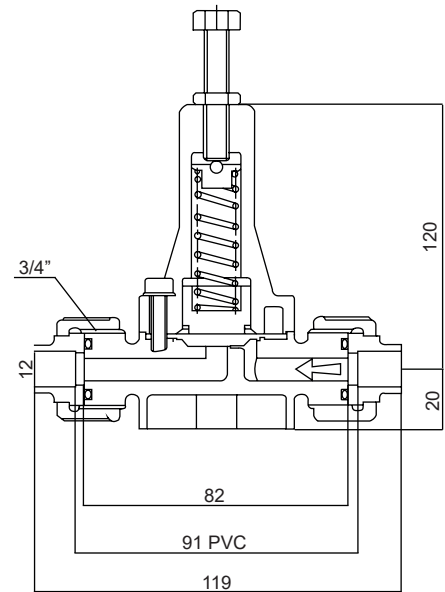
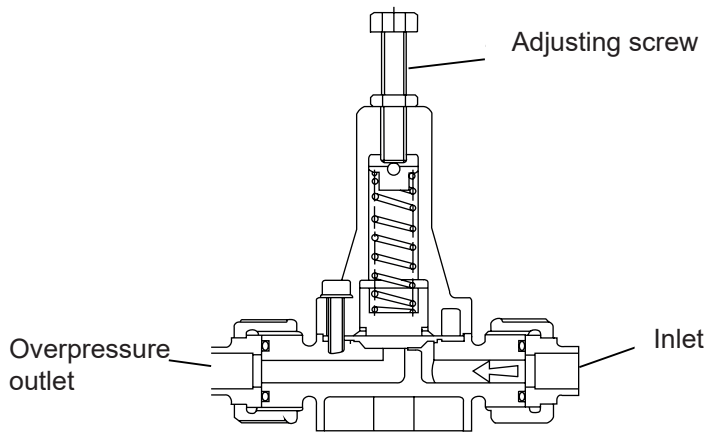
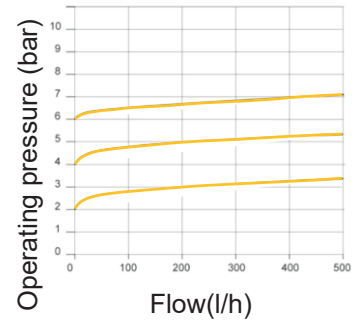


TECHNICAL FEATURES

| | |
|------------------------|-------------|
| Max. flow: 500l/h | 500 l/h |
| Max. pressure: | 10bar @20°C |
| Min. opening pressure: | 0,5 bar |
| Hysteresis: | 0,5 bars |
| Thread connection: | 3/4" |
| Pipe conection: | DN8 |

Graphic Operating pressure / flow



| CODE | Materials |
|---------|------------------|
| 18800 | PVC / FPM / PTFE |
| 18801 | PP / FPM / PTFE |
| 18800-E | PVC/EPDM |
| 18800-F | PVDF/FPM |
| 18801-E | PP/EPDM |

