

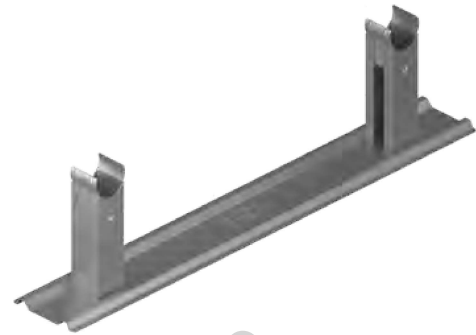
Pipe rail supports and bay wide supports

Pipe rail supports carry heating pipes between the rows of crops and are also used for internal transport. Pipe rail supports are available with open and closed legs and with height-adjustable supports.

We also supply pipe clamps in any common heating pipe diameter for our pipe rail supports. They can be delivered ready fitted or separately. Alternatively, we also supply galvanised strips that are easy to mount over the pipe.

Bay wide supports are designed to create regular spacing in your greenhouse. They are also suitable for further automation of your production process, such as the use of a spray robot.

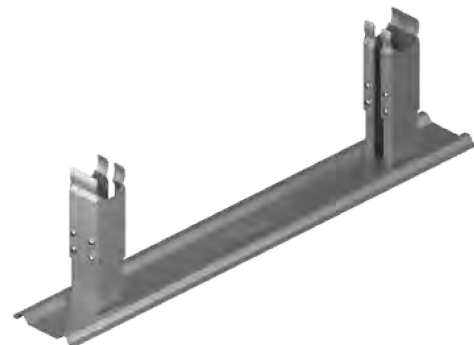
- Suitable for further automation of your system
- Available in all sizes and height-adjustable
- Prevents pipe rail trolleys from tilting
- Ideal to combine together



6.1.1



6.1.2

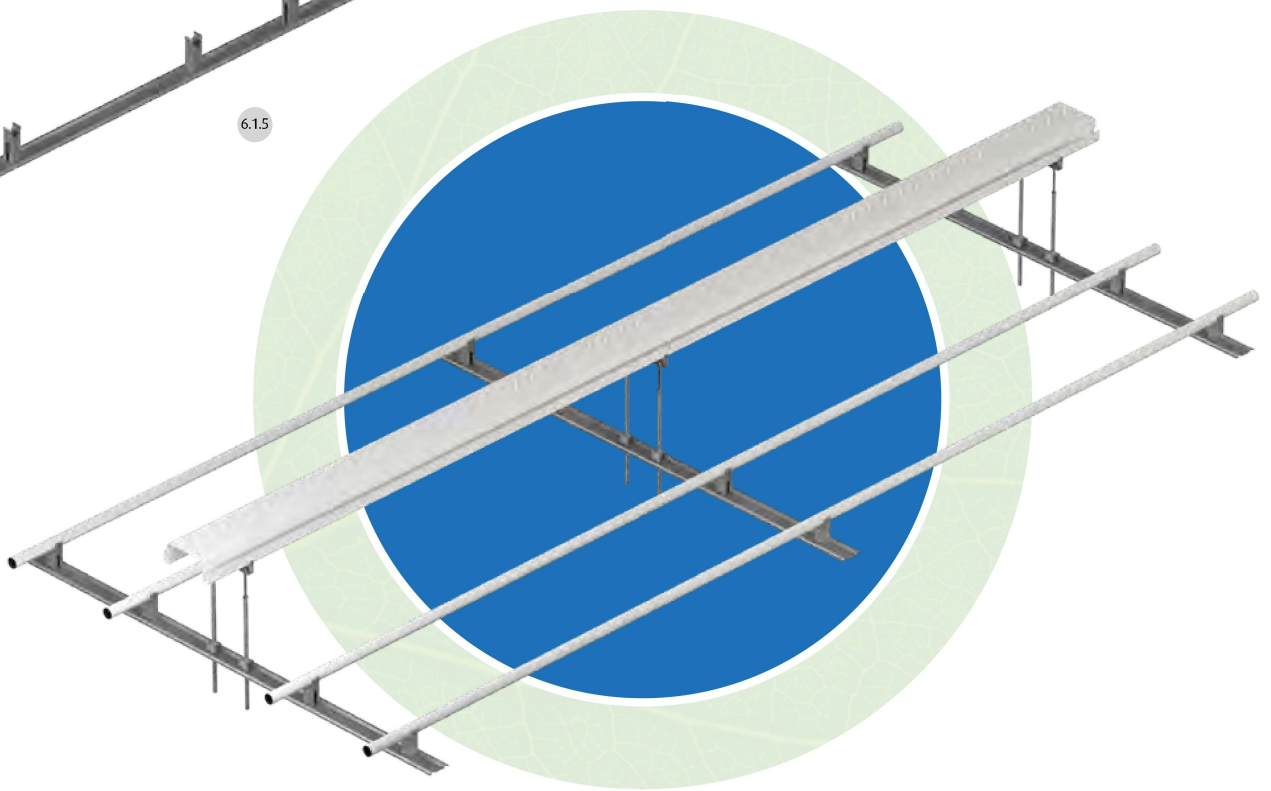
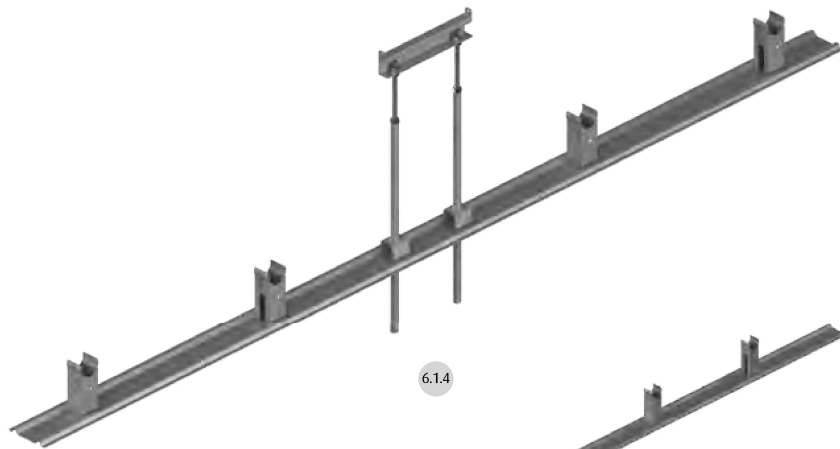


6.1.3

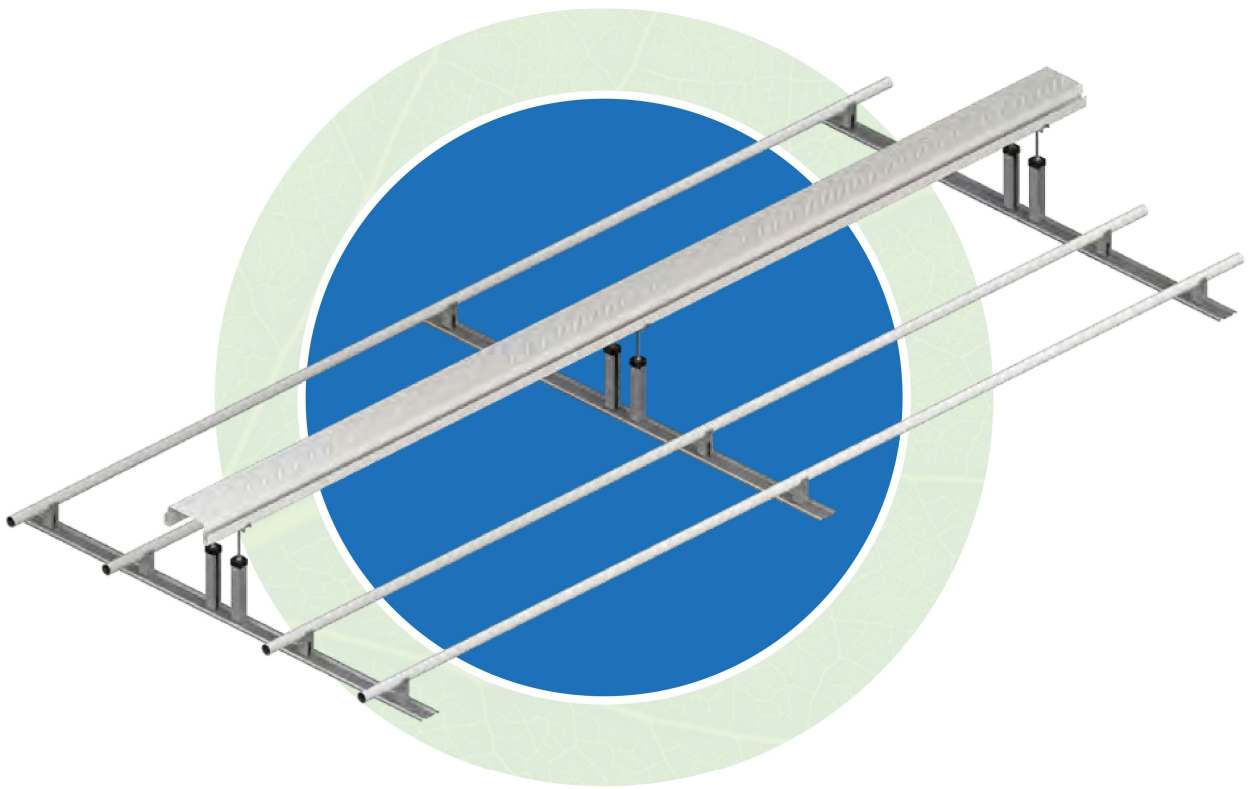
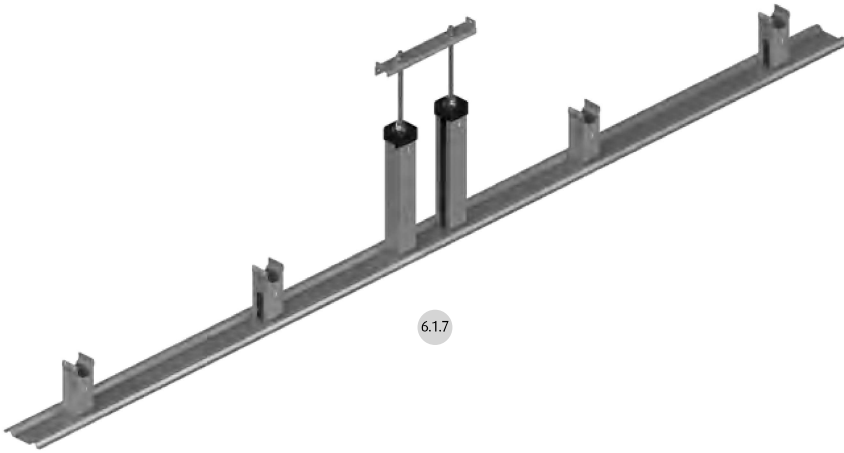
Index

- 6.1.1 Pipe rail support - open
- 6.1.2 Pipe rail support - closed
- 6.1.3 Pipe rail support - adjustable

- 6.1.4 Bay wide support, gutter stand and pipe rail support
- 6.1.5 Bay wide support
- 6.1.6 Bay wide support, gutter stand, pipe rails supports with gutter

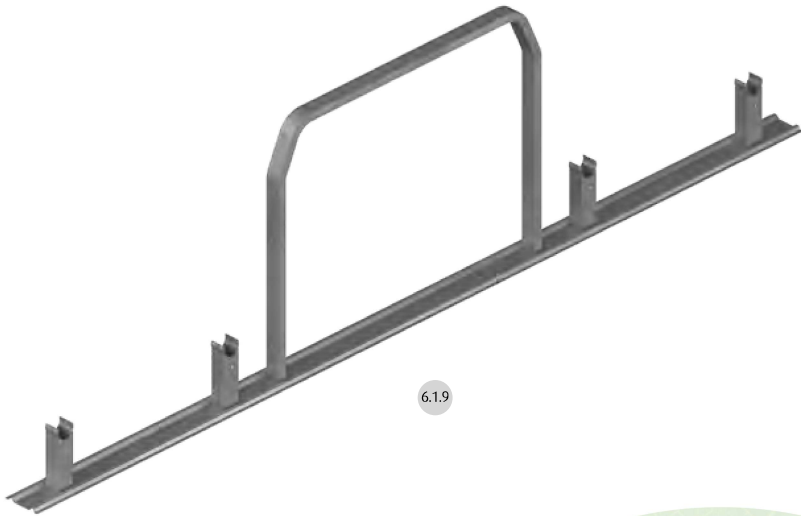


Pipe rail supports and bay wide supports

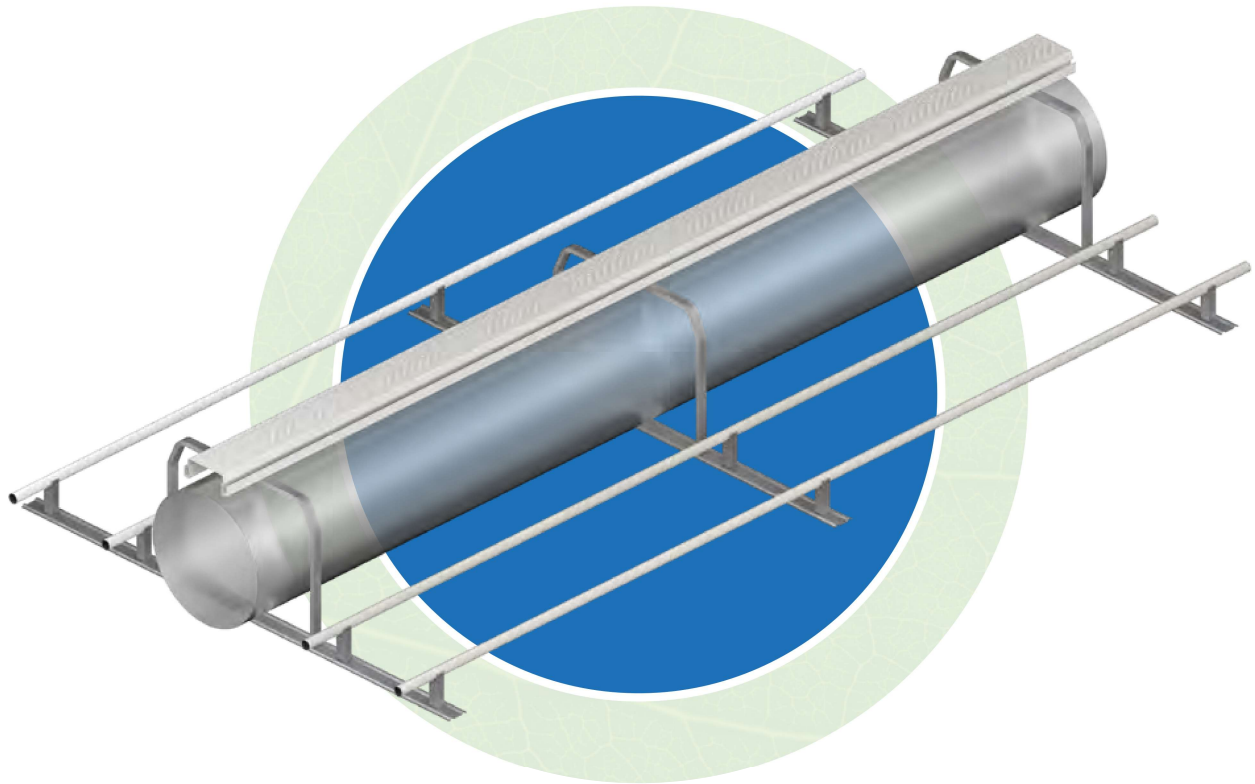


Index

- 6.1.7 Bay wide support - fixed gutter stand and pipe rail supports
- 6.1.8 Bay wide support - fixed gutter stand, pipe rail supports and gutter
- 6.1.9 Bay wide support, bow gutter stand and pipe rail supports
- 6.1.10 Bay wide support, bow gutter stand, pipe rail support and gutter



6.1.9



6.1.10