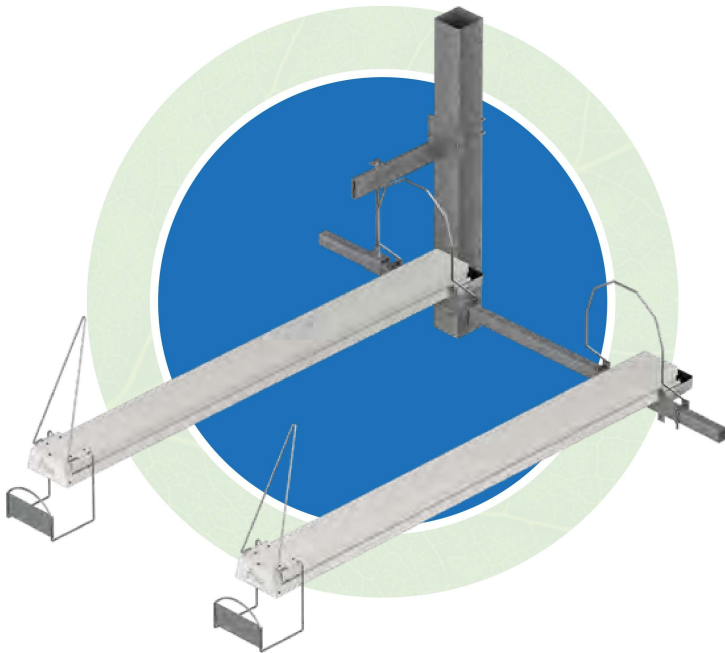
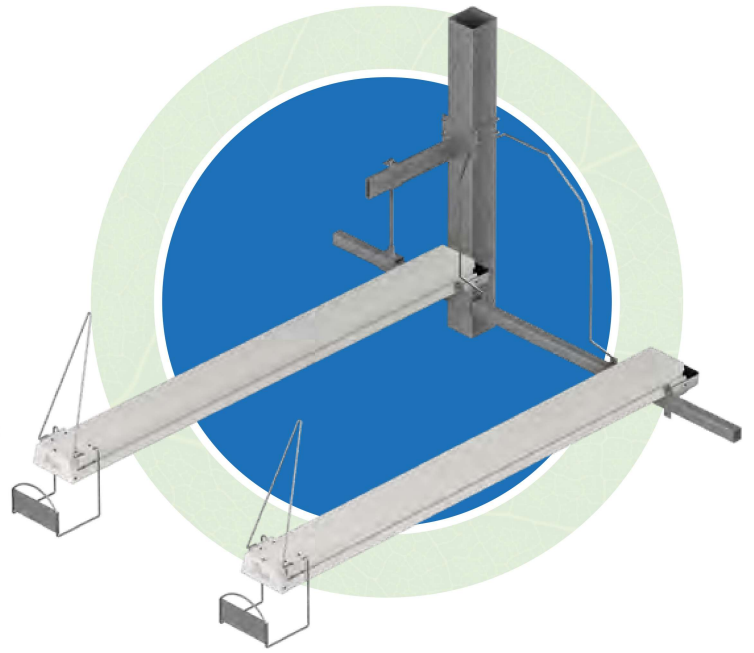


Turn around brackets

Turn around brackets are mainly used in the cultivation of tomatoes and high wire cucumbers to support and guide plant stems on both ends of the growing gutter. The stems are turned around these brackets at the ends of the gutters so that they can continue to grow along the other side of the gutter. These turn around brackets protect the stems against kinking and damage.



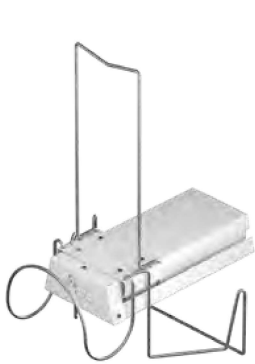
5.2.1



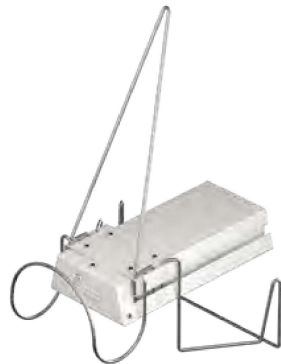
5.2.2

Index

- 5.2.1 Turn around bracket over the gutter
- 5.2.2 Turn around bracket between the gutters
- 5.2.3 Turn around bracket with stem support
- 5.2.4 Turn around bracket, front side with stem support
- 5.2.5 Turn around brack with note board
- 5.2.6 Turn around bracket with note board on top
- 5.2.7 Turn around bracket with grow pipe support
- 5.2.8 Turn around bracket straight
- 5.2.9 Special turn around bracket
- 5.2.10 Turn around bracket rear side between gutters
- 5.2.11 Turn around bracket with double grow pipe support
- 5.2.12 Turn around bracket, rear side of the gutter, special
- 5.2.13 Turn around bracket rear side with grow pipe hook



5.2.3



5.2.4



5.2.5



5.2.6



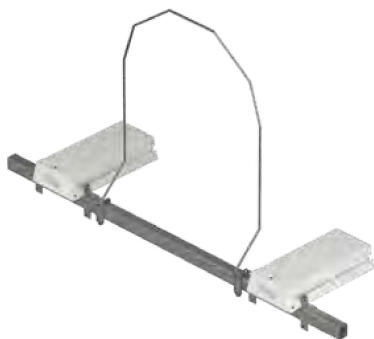
5.2.7



5.2.8



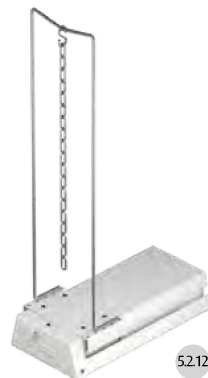
5.2.9



5.2.10



5.2.11



5.2.12



5.2.13