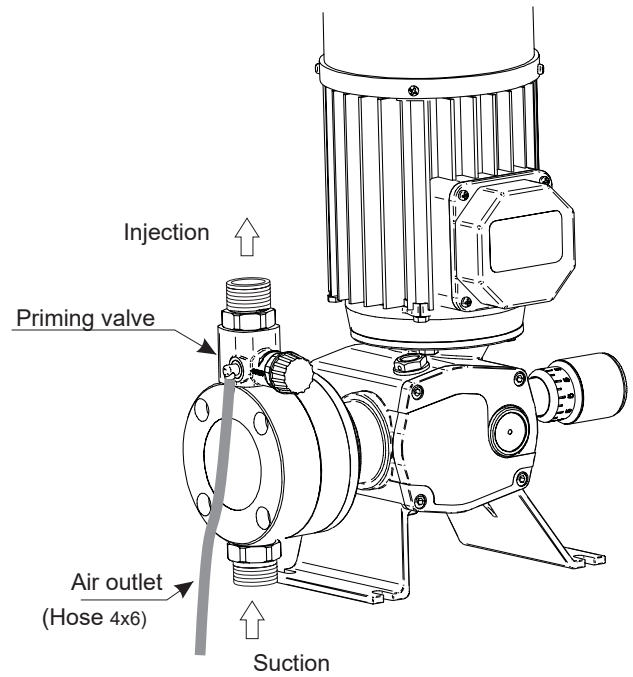
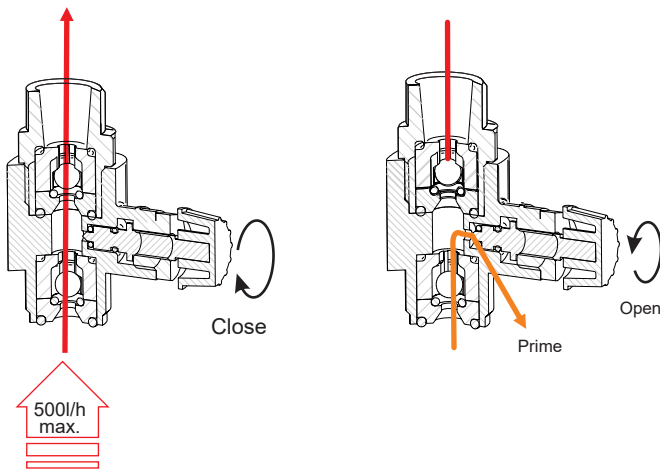
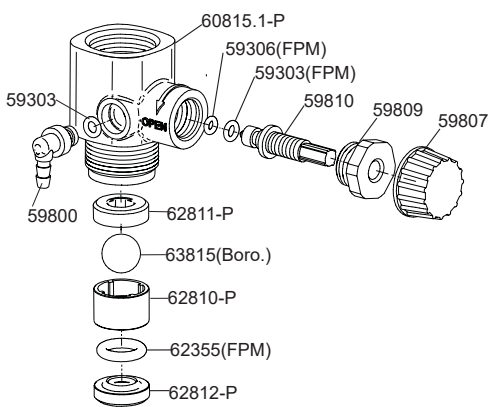


TECHNICAL FEATURES

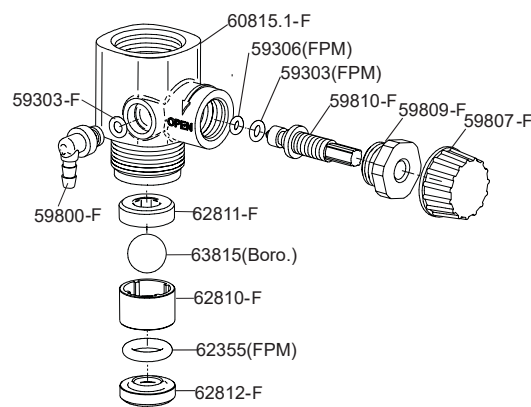
Max. flow:	500 l/h
Connection thread:	3/4"



PP 60-840-P



PVDF 60-840-F



AISI316 60-840-I

