

# RW45 Motor gearboxes



The RW45 motor gearboxes are maintenance-free, compact drive units for operating ventilation, screen and flap ventilation systems in greenhouses and livestock houses. The RW45 motor gearboxes are designed to operate at ambient temperatures between 0 and 60 °C.

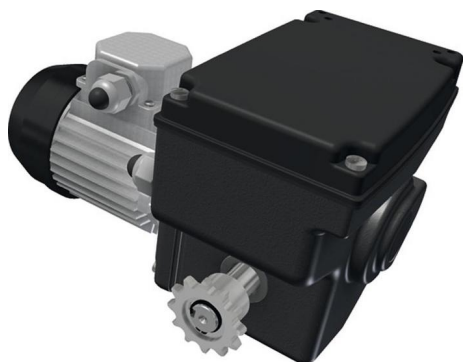
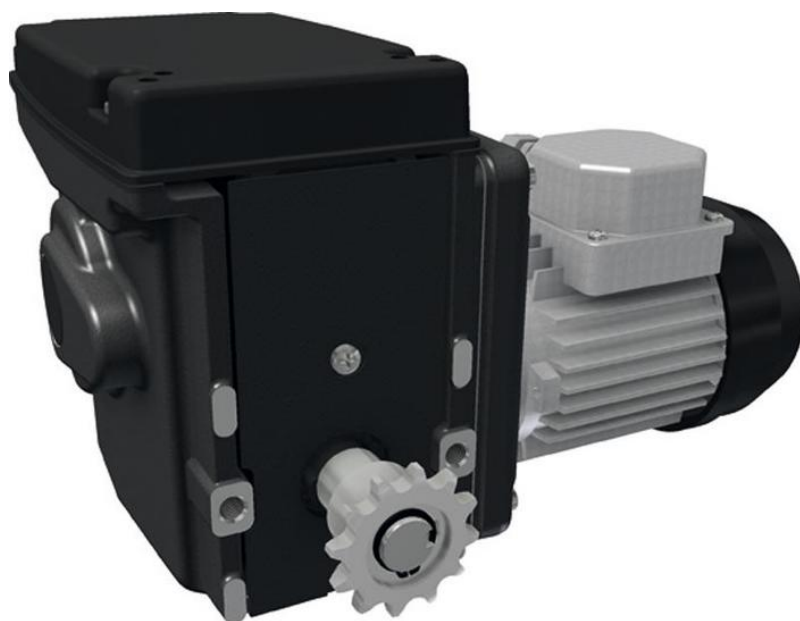
All RW45 motor gearboxes feature a self-braking worm gear transmission. The RW motor gearbox's self-braking worm gear transmission ensures that the output shaft is braked when the drive unit is stopped. The combination of carefully matched pinion and worm reductions results in a very quiet mechanical transmission.

The RW45 motor gearboxes feature a patented integrated linear limit-switch system with duty and safety switches having excellent switching precision. The maximum switching range of the limit-switch system equates to 97 revolutions of the drive shaft. The optional RPU Positioning Unit accurately monitors the current position of a drive system and transmits this data back to your climate computer or controller. This position feedback can also be achieved using an installation set with a potentiometer.

The RW45 motor gearboxes are finished with a graphite grey powder coating and are supplied including fixing bolts and spring washers.

## RW45 Motor gearboxes:

- Drive torques up to 120 Nm at 50 Hz and 60 Hz mains frequencies;
- Rotation speeds from 1 to 5 rpm at 50 Hz, 1.2 to 6 rpm at 60 Hz mains frequency;
- Suitable for intermittent use, duty class s3-35%, duty cycle maximum 25 minutes;
- Fitted with 12-tooth 1/2"x5/16" zinc-plated sprocket for chain couplings;
- Option for 16-tooth 1/2"x5/16" sprockets to compensate for larger angle differences (up to 6°);
- Manual drive enabled by means of a hexagon socket in electric motor shaft;
- Electric motors are standard tropic-proof and conform to protection class IP55;
- Available with 3-phase electric motors, 400 V at 50 Hz (eurovoltage, EM type A);
- Or with 3-phase electric motors with CSA and UL approval, 208-415 V at 50/60 Hz and 415-480 V at 60 Hz (wide voltage, EM type B);
- Or with 1-phase electric motors, 230 V at 50/60 Hz (EM type D);
- Or with 1-phase electric motors with CSA and UL approval, 115 V at 60 Hz (EM type F);
- Other specifications available on request.



# RW45 Motor gearboxes



Art. no.	Description	[m] kg	[M] 50Hz Nm	[n] 50Hz /min	[M] 60Hz Nm	[n] 60Hz /min	EM	F -	IP	CSA UL	EM nr
<b>502000</b>	RW45-1-09\400\3\P\97	15,5	120	1,0	120	1,2	A	3	•		763010
<b>531094</b>	RW45-2-09\400\3\97	15,5	120	2,0	120	2,4	A	3	•		763010
<b>502010</b>	RW45-3-09\400\3\97	15,5	90	3,0	90	3,6	A	3	•		763010
<b>502020</b>	RW45-5-09\400\3\97	15,5	60	5,0	60	6,0	A	3	•		763010
<b>535206</b>	RW45-1-09\208-480\3\P\CU\97	16,5	120	1,0	120	1,2	B	3	•	CU	764002
<b>535236</b>	RW45-2-09\208-480\3\P\CU\97	16,5	120	2,0	120	2,4	B	3	•	CU	764002
<b>535266</b>	RW45-3-09\208-480\3\P\CU\97	16,5	90	3,0	90	3,6	B	3	•	CU	764002
<b>535296</b>	RW45-5-09\208-480\3\P\CU\97	16,5	60	5,0	60	6,0	B	3	•	CU	764002
<b>502030</b>	RW45-1-09\230\1\97	16,5	120	1,0	120	1,2	D	1	•		761001
<b>531092</b>	RW45-2-09\230\1\97	16,5	120	2,0	100	2,4	D	1	•		761001
<b>502040</b>	RW45-3-09\230\1\97	16,5	90	3,0	80	3,6	D	1	•		761001
<b>502050</b>	RW45-5-09\230\1\97	16,5	60	5,0	50	6,0	D	1	•		761001
<b>535360</b>	RW45-1-09\115\1\60\P\CU\97	16,5	-	-	120	1,2	F	1	•	CU	761202
<b>535365</b>	RW45-2-09\115\1\60\P\CU\97	16,5	-	-	100	2,4	F	1	•	CU	761202
<b>535370</b>	RW45-3-09\115\1\60\P\CU\97	16,5	-	-	70	3,6	F	1	•	CU	761202
<b>535375</b>	RW45-5-09\115\1\60\P\CU\97	16,5	-	-	45	6,0	F	1	•	CU	761202
<b>537100</b>	RW45-1-09\400\3\97\IP55	15,5	120	1,0			A	3	•		763010
<b>537105</b>	RW45-2-09\400\3\97\IP55	15,5	120	2,0			A	3	•		763010
<b>537110</b>	RW45-3-09\400\3\97\IP55	15,5	90	3,0			A	3	•		763010
<b>537115</b>	RW45-5-09\400\3\97\IP55	15,5	60	5,0			A	3	•		763010
<b>537120</b>	RW45-1-09\208-480\3\CU\97\IP55	16,5	120	1,0	120	1,2	B	3	•	CU	764002
<b>537125</b>	RW45-2-09\208-480\3\CU\97\IP55	16,5	120	2,0	120	2,4	B	3	•	CU	764002
<b>537140</b>	RW45-1-09\230\1\97\IP55	16,5	120	1,0	120	1,2	D	1	•		761001
<b>537145</b>	RW45-2-09\230\1\97\IP55	16,5	120	2,0	100	2,4	D	1	•		761001
<b>537150</b>	RW45-3-09\230\1\97\IP55	16,5	90	3,0	80	3,6	D	1	•		761001
<b>537155</b>	RW45-5-09\230\1\97\IP55	16,5	60	5,0	50	6,0	D	1	•		761001
<b>537160</b>	RW45-1-09\115\1\60\CUP\97\IP55	16,5	-	-	120	1,2	F	1	•	CU	761202