

RW240 Motor gearboxes



The RW240 motor gearboxes are maintenance-free, compact drive units for operating ventilation, screen and lifting systems in greenhouses and livestock houses. The easy-to-install RW240 motor gearboxes are enclosed in a housing with a sealed limit-switch system that has a high protection rating of IP55. The RW240 motor gearboxes are designed to operate at ambient temperatures between 0 and 60 °C.

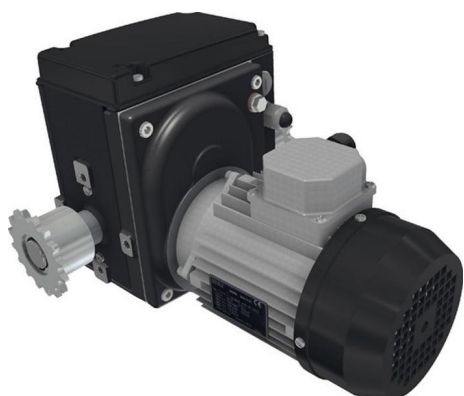
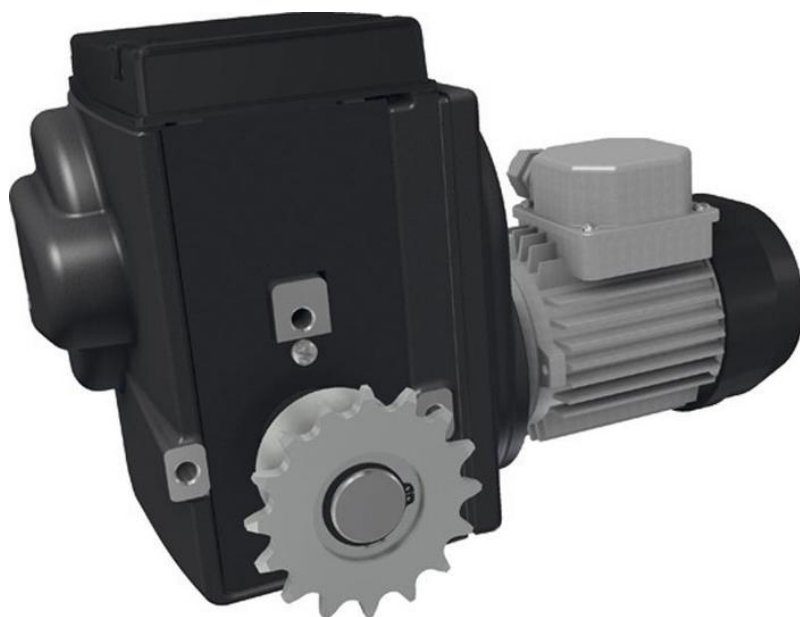
All RW240 motor gearboxes feature a self-braking worm gear transmission. The RW motor gearbox's self-braking worm gear transmission ensures that the output shaft is braked when the drive unit is stopped. The combination of carefully matched pinion and worm reductions results in a very quiet mechanical transmission.

The RW240 motor gearboxes feature a patented integrated linear limit-switch system with duty and safety switches having excellent switching precision. The maximum switching range of the limit-switch system equates to 86 revolutions of the drive shaft. The optional RPU Positioning Unit accurately monitors the current position of a drive system and transmits this data back to your climate computer or controller. This position feedback can also be achieved using an installation set with a potentiometer.

The RW240 motor gearboxes are finished with a graphite grey powder coating and are supplied including fixing bolts and spring washers. The RW45 motor gearboxes are designed to operate at ambient temperatures between 0 and 40°C.

RW240 Motor gearboxes:

- Drive torque of 240 Nm at 50 Hz and 60 Hz mains frequencies;
- Rotation speeds of 1 to 5 rpm at 50 Hz, 1.2 to 6 rpm at 60 Hz mains frequency;
- Suitable for intermittent duty, duty class s3-35%, duty cycle maximum 25 minutes;
- Fitted with 16-tooth 5/8"x3/8" zinc-plated sprocket for chain couplings;
- Manual drive enabled by means of a hexagon socket in the electric motor shaft;
- Electric motors are standard tropic-proof and conform to protection class IP55;
- Available with 3-phase electric motors, 400V at 50 Hz (eurovoltage, EM type A);
- Or with 3-phase electric motors with CSA and/or UL approval, 208-415 V at 50/60 Hz and 415-480 V at 60 Hz (wide voltage, EM type B);
- Or with 3-phase electric motors with CSA approval, 600 V at 60 Hz (EM type C);
- Or with 1-phase electric motors, 230 V at 50/60 Hz (EM type D, E);
- Or with 1-phase electric motors with CSA and/or UL approval, 115 V at 60 Hz (EM type F, G);
- Other specifications available on request.



RW240 Motor gearboxes



Art. no.	Description	[m]	[M] 50Hz	[n] 50Hz	[M] 60Hz	[n] 60Hz	EM	F -	PTC	CSA UL	EM nr
		kg	Nm	/min	Nm	/min					
502300	RW241-09\400\3\86	28,0	240	1,0	240	1,2	A	3	•		763010
532410	RW242-25\400\3\86	30,0	240	2,0	240	2,4	A	3	•		763030
502310	RW243-25\400\3\86	30,0	240	3,0	240	3,6	A	3	•		763030
502320	RW245-37\400\3\86	30,5	240	5,0	240	6,0	A	3	•		763040
535400	RW241-09\208-480\3\PU\86	30,0	240	1,0	240	1,2	B	3	•	CU	764002
535430	RW242-25\208-480\3\PU\86	32,0	240	2,0	240	2,4	B	3	•	CU	764022
535460	RW243-25\208-480\3\PU\86	32,0	240	3,0	240	3,6	B	3	•	CU	764022
535490	RW245-37\208-480\3\PU\86	32,0	240	5,0	240	6,0	B	3	•	C	764032
536490	RW245-37\600\3\60\C\86	32,0	-	-	240	6,0	C	3	•	C	703632
502330	RW241-09\230\1\86	28,5	240	1,0	240	1,2	D	1	•		761001
532406	RW242-18\230\1\86	31,0	240	2,0	240	2,4	D	1	•		761016
502340	RW243-25\230\1\0C\PU\86	32,0	240	3,0	240	3,6	E	1	•	C	761021
502350	RW245-37\230\1\0C\C\86	32,5	240	5,0	240	6,0	E	1	•	C	761032
502334	RW241-09\115\1\60\PU\86	29,0	-	-	200	1,2	F	1	•	C	761202
502351	RW245-37\115\1\60\0C\PU\86	33,0	-	-	200	6,0	G	1	•	C	761232
537200	RW241-09\400\3\86\IP55	28,0	240	1,0			A	3	•		763010
537205	RW242-25\400\3\86\IP55	30,0	240	2,0			A	3	•		763030
537210	RW243-25\400\3\86\IP55	30,0	240	3,0			A	3	•		763030
537215	RW245-37\400\3\86\IP55	30,5	240	5,0			A	3	•		763040
537230	RW243-25\208-480\3\CU\86\IP55	32,0	240	3,0	240	3,6	B	3	•	CU	764022
537235	RW245-37\208-480\3\C\86\IP55	32,0	240	5,0	240	6,0	B	3	•	C	764032
537240	RW241-09\230\1\86\IP55	28,5	240	1,0	240	1,2	D	1	•		761001
537250	RW243-25\230\1\C\86\IP55	32,0	240	3,0	240	3,6	E	1	•	C	701021P
537255	RW245-37\230\1\C\86\IP55	32,5	240	5,0	240	6,0	E	1	•	C	761032
537275	RW245-37\115\1\60\C\86\IP55	33,0	-	-	200	6,0	G	1	•	C	761232